



規格承認書

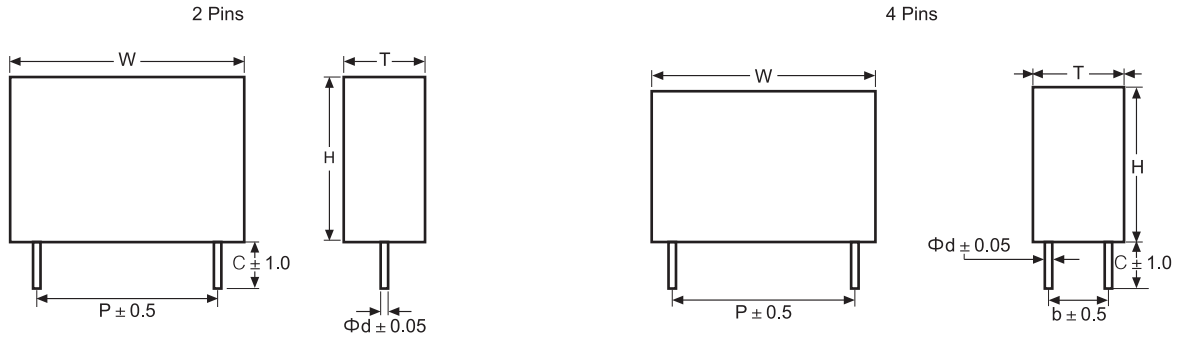
(SPECIFICATION FOR APPROVAL)

File No.: Q/BH .TS16949.13TECH1303

Product Name: Snubber Capacitor for IGBT (PCB)
Product Type: C3H(IGBT 吸收电容器)
Product Code: C3H
Customer:
Customer Code:
Issue Date: (V3.0)

IGBT吸收电容器(PCB) Snubber capacitor for IGBT (PCB)

外形图 Outline Drawing




特点

- 广泛应用于高压高频脉冲电路中
- 损耗小，内部温升小
- 优异的阻燃性能
- 适合作为IGBT的吸收电容

Features

- Widely used in high voltage, high frequency circuit
- Low loss and small inherent temperature rise
- Excellent active and passive flame resistant circuit
- Especially designed as snubber capacitor for IGBT

安全认证 Safety Approvals

●		UL(美国)	UL 810 (construction only) 证书号(Certificate No.): E25623 , CCN: CZDS
---	---	--------	--

技术要求 Specifications

引用标准 Reference Standard	IEC 61071	
气候类别 Climatic Category	40/85/56	
工作温度范围(外壳) Operating Temperature Range	-40℃~85℃	
额定电压 Rated Voltage	630Vdc ~ 3 000Vdc	
电容量范围 Capacitance Range	0.047μF ~ 9.0μF	
电容量偏差 Capacitance Tolerance	J(± 5%), K(± 10%), M(± 20%)	
耐电压 Voltage Proof	1.5U _N (10s)	
损耗角正切 Dissipation Factor	≤0.0005 (1kHz, 20℃)	
绝缘电阻 Insulation Resistance	≥ 100 000MΩ, C _N ≤ 0.33μF	(20℃, 100Vdc, 1min)
	≥ 30 000s C _N > 0.33μF	
工作寿命 Operation life time	≥ 100,000 hours at U _N	



C3H

产品编码说明 Part number system

■ 18位产品代码如下:

The 18 digits part number is formed as follow:

1	2	3	4	5	6	7	8	9	10	11	12	13	14	15	16	17	18
C	3	H															

第1~3位	型号代码 C3H	Digit 1 to 3	Series code C3H
第4~5位	直流额定电压 2J=630V 1V=700V 1W=850V 3A=1 000V 3L=1 200V 3C=1 600V 7M=1 700V 3D=2 000V 3E=2 500V 4Q=3 000V	Digit 4 to 5	D.C. rated voltage 2J=630V 1V=700V 1W=850V 3A=1 000V 3L=1 200V 3C=1 600V 7M=1 700V 3D=2 000V 3E=2 500V 4Q=3 000V
第6~8位	标称容量 举例: 105=10 × 10 ⁵ pF= 1.0 μ F	Digit 6 to 8	Rated capacitance value For example : 105=10 × 10 ⁵ pF= 1.0 μ F
第9位	容量等级 J= ± 5%, K= ± 10%, M= ± 20%	Digit 9	Capacitance tolerance J= ± 5%, K= ± 10%, M= ± 20%
第10位	引线间距P D=32.5 mm F=37.5 mm M=52.5 mm	Digit10	Pitch D=32.5 mm F=37.5 mm M=52.5 mm
第11位	内部特征码	Digit11	Internal use
第12~15位	引线加工和包装代码	Digit 12~15	Lead form and packaging code
第16~18位	内部特征码	Digit16~18	Internal use

■ **Table 1 引线加工和包装代码 Lead form and packaging code**

第12位 Digit 12		第13位和第14位 Digit 13 and Digit 14		第15位 Digit 15	
代码 Code	说明 explanation	代码 Code	说明 explanation	代码 Code	说明 explanation
0	2 引线散装 Two pins(bulk)	00	标准的引线长度 5.5mm standard lead length 5.5mm	0	引线长度偏差 ± 1.0mm Length tolerance ± 1.0mm
6	4 引线散装 four pins(bulk) b=5.0mm				
1	4 引线散装 four pins(bulk) b=10.0mm				
2	4 引线散装 four pins(bulk) b=12.7mm				
3	4 引线散装 four pins(bulk) b=20.0mm				
A	4 引线散装 four pins(bulk) b=20.3mm				
B	4 引线散装 four pins(bulk) b=10.2mm				
C	4 引线散装 four pins(bulk) b=5.1mm				



C3H

Guang Zhou Nan Cai Electronic CO.,LTD.

<http://www.cgznc.com>

■ 技术参数 Technical data(mm)

630Vdc / 700Vdc (420 Vac)*												
C (μ F)	W \pm 1.0	H \pm 1.0	T \pm 1.0	P \pm 0.5	b \pm 0.5	d \pm 0.05	dV/dt (V/ μ s)	\hat{I} (A)	ESR max@100kHz (m Ω)	I _{rms} 100kHz@70 $^{\circ}$ C (A)	L _s (nH)	Part number
0.68	37.0	25.0	15.0	32.5	--	1.2	900	612	6.0	11	23	C3H1V684+D00000***
0.68	37.0	25.0	15.0	32.5	5.1	1.0	900	612	5.0	13	23	C3H1V684+D0C000***
1.0	37.0	30.0	16.0	32.5	--	1.2	900	900	6.0	12	23	C3H1V105+ D00000***
1.0	37.0	30.0	16.0	32.5	5.1	1.0	900	900	5.0	14	23	C3H1V105+ D0C000***
1.2	37.0	30.0	16.0	32.5	--	1.2	900	1 080	5.5	14	23	C3H1V125+ D00000***
1.2	37.0	30.0	16.0	32.5	5.1	1.0	900	1 080	4.5	16	23	C3H1V125+ D0C000***
1.5	37.0	34.0	20.0	32.5	--	1.2	900	1 350	5.5	14	23	C3H1V155+ D00000***
1.5	37.0	34.0	20.0	32.5	10.2	1.0	900	1 350	4.5	17	23	C3H1V155+ D0B000***
1.8	37.0	34.0	20.0	32.5	--	1.2	900	1 620	5.5	14	23	C3H1V185+ D00000***
1.8	37.0	34.0	20.0	32.5	10.2	1.0	900	1 620	4.5	18	23	C3H1V185+ D0B000***
2.0	42.0	40.0	20.0	37.5	--	1.2	600	1 200	5.0	14	29	C3H1V205+ F00000***
2.0	42.0	40.0	20.0	37.5	10.2	1.2	600	1 200	4.0	18	29	C3H1V205+ F0B000***
2.2	42.0	40.0	20.0	37.5	--	1.2	600	1 320	5.0	14	29	C3H1V225+ F00000***
2.2	42.0	40.0	20.0	37.5	10.2	1.2	600	1 320	4.0	18.5	29	C3H1V225+ F0B000***
2.5	42.0	40.0	20.0	37.5	--	1.2	600	1 500	5.0	14	29	C3H1V255+ F00000***
2.5	42.0	40.0	20.0	37.5	10.2	1.2	600	1 500	4.0	19	29	C3H1V255+ F0B000***
3.0	42.0	44.0	24.0	37.5	--	1.2	600	1 800	5.0	14	29	C3H1V305+ F00000***
3.0	42.0	44.0	24.0	37.5	12.7	1.2	600	1 800	4.0	20	29	C3H1V305+ F02000***
3.3	42.0	44.0	24.0	37.5	--	1.2	600	1 980	4.5	14	29	C3H1V335+ F00000***
3.3	42.0	44.0	24.0	37.5	12.7	1.2	600	1 980	3.5	20	29	C3H1V335+ F02000***
4.0	42.0	44.0	24.0	37.5	--	1.2	600	2 400	4.5	14	29	C3H1V405+ F00000***
4.0	42.0	44.0	24.0	37.5	12.7	1.2	600	2 400	3.5	21	29	C3H1V405+ F02000***
4.7	42.0	45.0	30.0	37.5	20.3	1.2	600	2 820	3.5	23	29	C3H1V475+F0A000***
5.0	42.0	45.0	30.0	37.5	20.3	1.2	600	3 000	3.0	23.5	29	C3H1V505+F0A000***
6.0	42.0	43.0	42.0	37.5	20.3	1.2	600	3 600	3.0	25	29	C3H1V605+F0A000***
6.5	42.0	43.0	42.0	37.5	20.3	1.2	600	3 900	3.0	26	29	C3H1V655+F0A000***
6.5	57.0	43.5	29.5	52.5	20.3	1.2	360	2 340	2.5	24	33	C3H1V655+M0A000***
7.0	57.0	43.5	29.5	52.5	20.3	1.2	360	2 520	2.5	25	33	C3H1V705+M0A000***
8.0	57.0	50.0	35.0	52.5	20.3	1.2	360	2 880	2.5	27	33	C3H1V805+M0A000***
9.0	57.0	50.0	35.0	52.5	20.3	1.2	360	3 240	2.5	28	33	C3H1V905+M0A000***

850Vdc (450 Vac)												
C _N (μ F)	W \pm 1.0	H \pm 1.0	T \pm 1.0	P \pm 0.5	b \pm 0.5	d \pm 0.05	dV/dt (V/ μ s)	\hat{I} (A)	ESR max@100kHz (m Ω)	I _{rms} 100kHz@70 $^{\circ}$ C (A)	L _s (nH)	Part number
0.47	37.0	25.0	15.0	32.5	--	1.2	1 200	564	6.0	13	23	C3H1W474+ D00000***
0.47	37.0	25.0	15.0	32.5	5.1	1.0	1 200	564	5.0	15	23	C3H1W474+ D0C000***
0.68	37.0	30.0	16.0	32.5	--	1.2	1 200	816	6.0	14	23	C3H1W684+ D00000***
0.68	37.0	30.0	16.0	32.5	5.1	1.0	1 200	816	5.0	16	23	C3H1W684+ D0C000***
1.0	37.0	34.0	20.0	32.5	--	1.2	1 200	1 200	6.0	14	23	C3H1W105+ D00000***
1.0	37.0	34.0	20.0	32.5	10.2	1.0	1 200	1 200	5.0	17	23	C3H1W105+ D0B000***
1.2	37.0	34.0	20.0	32.5	--	1.2	1 200	1 440	6.0	14	23	C3H1W125+ D00000***
1.2	37.0	34.0	20.0	32.5	10.2	1.0	1 200	1 440	5.0	17.5	23	C3H1W125+ D0B000***



C3H

Guang Zhou Nan Cai Electronic CO.,LTD.
<http://www.cgznc.com>

■ 技术参数 Technical data(mm)

850Vdc (450 Vac)												
C _N (μF)	W±1.0	H±1.0	T±1.0	P±0.5	b±0.5	d±0.05	dV/dt (V/μs)	İ (A)	ESR max@100kHz (mΩ)	I _{rms} 100kHz@70℃ (A)	L _s (nH)	Part number
1.5	37.0	34.0	20.0	32.5	--	1.2	1 200	1 800	6.0	14	23	C3H1W155+ D00000***
1.5	37.0	34.0	20.0	32.5	10.2	1.0	1 200	1 800	5.0	18	23	C3H1W155+ D0B000***
1.5	42.0	40.0	20.0	37.5	--	1.2	750	1 125	5.5	14	29	C3H1W155+F00000***
1.5	42.0	40.0	20.0	37.5	10.2	1.2	750	1 125	4.5	18.5	29	C3H1W155+F0B000***
2.0	42.0	40.0	20.0	37.5	--	1.2	750	1 500	5.5	14	29	C3H1W205+F00000***
2.0	42.0	40.0	20.0	37.5	10.2	1.2	750	1 500	4.5	19	29	C3H1W205+F0B000***
2.2	42.0	40.0	20.0	37.5	--	1.2	750	1 650	5.5	14	29	C3H1W225+F00000***
2.2	42.0	40.0	20.0	37.5	10.2	1.2	750	1 650	4.5	19.5	29	C3H1W225+F0B000***
2.5	42.0	44.0	24.0	37.5	--	1.2	750	1 875	5.5	14	29	C3H1W255+F00000***
2.5	42.0	44.0	24.0	37.5	12.7	1.2	750	1 875	4.5	20	29	C3H1W255+F02000***
3.0	42.0	44.0	24.0	37.5	--	1.2	750	2 250	5.5	14	29	C3H1W305+F00000***
3.0	42.0	44.0	24.0	37.5	12.7	1.2	750	2 250	4.5	21	29	C3H1W305+F02000***
3.3	42.0	45.0	30.0	37.5	20.3	1.2	750	2 475	4.5	21.5	29	C3H1W335+F0A000***
4.0	42.0	43.0	42.0	37.5	20.3	1.2	750	3 000	4.5	22	29	C3H1W405+F0A000***
4.0	57.0	43.5	29.5	52.5	20.3	1.2	450	1 800	4.0	23	33	C3H1W405+M0A000***
4.7	57.0	43.5	29.5	52.5	20.3	1.2	450	2 115	4.0	24.5	33	C3H1W475+M0A000***
5.0	57.0	43.5	29.5	52.5	20.3	1.2	450	2 250	4.0	25	33	C3H1W505+M0A000***
6.0	57.0	50.0	35.0	52.5	20.3	1.2	450	2 700	4.0	26	33	C3H1W605+M0A000***
6.5	57.0	50.0	35.0	52.5	20.3	1.2	450	2 925	4.0	27	33	C3H1W655+M0A000***

1 000Vdc (500 Vac)												
C _N (μF)	W±1.0	H±1.0	T±1.0	P±0.5	b±0.5	d±0.05	dV/dt (V/μs)	İ (A)	ESR max@100kHz (mΩ)	I _{rms} 100kHz@70℃ (A)	L _s (nH)	Part number
0.47	37.0	25.0	15.0	32.5	--	1.2	1 300	611	6.0	12	23	C3H3A474+D00000***
0.47	37.0	25.0	15.0	32.5	5.1	1.0	1 300	611	5.0	14	23	C3H3A474+D0C000***
0.68	37.0	30.0	16.0	32.5	--	1.2	1 300	884	6.0	13	23	C3H3A684+D00000***
0.68	37.0	30.0	16.0	32.5	5.1	1.0	1 300	884	5.0	15	23	C3H3A684+D0C000***
0.82	37.0	30.0	16.0	32.5	--	1.2	1 300	1 066	6.0	14	23	C3H3A824+D00000***
0.82	37.0	30.0	16.0	32.5	5.1	1.0	1 300	1 066	5.0	16	23	C3H3A824+D0C000***
1.0	37.0	34.0	20.0	32.5	--	1.2	1 300	1 300	5.5	14	23	C3H3A105+ D00000***
1.0	37.0	34.0	20.0	32.5	10.2	1.0	1 300	1 300	4.5	17	23	C3H3A105+ D0B000***
1.2	37.0	34.0	20.0	32.5	--	1.2	1 300	1 560	5.5	14	23	C3H3A125+ D00000***
1.2	37.0	34.0	20.0	32.5	10.2	1.0	1 300	1 560	4.5	17	23	C3H3A125+ D0B000***
1.2	42.0	40.0	20.0	37.5	--	1.2	850	1 020	5.5	14	29	C3H3A125+ F00000***
1.2	42.0	40.0	20.0	37.5	10.2	1.2	850	1 020	4.5	16	29	C3H3A125+ F0B000***
1.5	42.0	40.0	20.0	37.5	--	1.2	850	1 275	5.5	14	29	C3H3A155+ F00000***
1.5	42.0	40.0	20.0	37.5	10.2	1.2	850	1 275	4.5	16	29	C3H3A155+ F0B000***
2	42.0	44.0	24.0	37.5	--	1.2	850	1 700	5.5	14	29	C3H3A205+ F00000***
2	42.0	44.0	24.0	37.5	12.7	1.2	850	1 700	4.5	17	29	C3H3A205+ F02000***

■ 技术参数 Technical data(mm)

1 000Vdc (500 Vac)												
C _N (μF)	W±1.0	H±1.0	T±1.0	P±0.5	b±0.5	d±0.05	dV/dt (V/μs)	İ (A)	ESR max@100kHz (mΩ)	I _{rms} 100kHz@70℃ (A)	L _s (nH)	Part number
2.2	42.0	44.0	24.0	37.5	—	1.2	850	1 870	5.0	14	29	C3H3A225+ F0000***
2.2	42.0	44.0	24.0	37.5	12.7	1.2	850	1 870	4.0	20	29	C3H3A225+ F02000***
2.5	42.0	45.0	30.0	37.5	20.3	1.2	850	2 125	4.0	21	29	C3H3A255+ F0A000***
3.0	42.0	45.0	30.0	37.5	20.3	1.2	850	2 550	4.0	21.5	29	C3H3A305+ F0A000***
3.3	42.0	43.0	42.0	37.5	20.3	1.2	850	2 805	4.0	22	29	C3H3A335+ F0A000***
3.3	57.0	43.5	29.5	52.5	20.3	1.2	500	1 650	4.0	20	33	C3H3A335+ M0A000***
4.0	57.0	43.5	29.5	52.5	20.3	1.2	500	2 000	4.0	21	33	C3H3A405+ M0A000***
4.7	57.0	50.0	35.0	52.5	20.3	1.2	500	2 350	4.0	22	33	C3H3A475+ M0A000***
5.0	57.0	50.0	35.0	32.5	20.3	1.2	500	2 500	4.0	23	33	C3H3A505+ M0A000***

1 200Vdc (600 Vac)												
C _N (μF)	W±1.0	H±1.0	T±1.0	P±0.5	b±0.5	d±0.05	dV/dt (V/μs)	İ (A)	ESR max@100kHz (mΩ)	I _{rms} 100kHz@70℃ (A)	L _s (nH)	Part number
0.33	37.0	25.0	15.0	32.5	--	1.2	1 500	495	6.5	11.5	23	C3H3L334+ D00000***
0.33	37.0	25.0	15.0	32.5	5.1	1.0	1 500	495	5.5	13.5	23	C3H3L334+ D0C000***
0.47	37.0	30.0	16.0	32.5	--	1.2	1 500	705	6.5	12	23	C3H3L474+ D00000***
0.47	37.0	30.0	16.0	32.5	5.1	1.0	1 500	705	5.5	14	23	C3H3L474+ D0C000***
0.68	37.0	34.0	20.0	32.5	--	1.2	1 500	1 020	6.5	13	23	C3H3L684+ D00000***
0.68	37.0	34.0	20.0	32.5	10.2	1.0	1 500	1 020	5.5	15	23	C3H3L684+ D0B000***
0.75	37.0	34.0	20.0	32.5	--	1.2	1 500	1 125	6.5	14	23	C3H3L754+ D00000***
0.75	37.0	34.0	20.0	32.5	10.2	1.0	1 500	1 125	5.5	16	23	C3H3L754+ D0B000***
0.82	42.0	40.0	20.0	37.5	--	1.2	950	779	6.0	14	29	C3H3L824+ F00000***
0.82	42.0	40.0	20.0	37.5	10.2	1.2	950	779	5.0	16	29	C3H3L824+ F0B000***
1.0	42.0	40.0	20.0	37.5	--	1.2	950	950	6.0	14	29	C3H3L105+ F00000***
1.0	42.0	40.0	20.0	37.5	10.2	1.2	950	950	5.0	17	29	C3H3L105+ F0B000***
1.2	42.0	44.0	24.0	37.5	--	1.2	950	1 140	5.5	14	29	C3H3L125+ F00000***
1.2	42.0	44.0	24.0	37.5	12.7	1.2	950	1 140	4.5	17	29	C3H3L125+ F02000***
1.5	42.0	44.0	24.0	37.5	--	1.2	950	1 425	5.5	14	29	C3H3L155+ F00000***
1.5	42.0	44.0	24.0	37.5	12.7	1.2	950	1 425	4.5	17.5	29	C3H3L155+ F02000***
2.0	42.0	45.0	30.0	37.5	20.3	1.2	950	1 900	4.5	18	29	C3H3L205+ F0A000***
2.2	42.0	43.0	42.0	37.5	20.3	1.2	950	2 090	4.5	19	29	C3H3L225+ F0A000***
2.5	42.0	43.0	42.0	37.5	20.3	1.2	950	2 375	4.5	20	29	C3H3L255+ F0A000***
2.2	57.0	43.5	29.5	52.5	20.3	1.2	600	1 320	4.0	18	33	C3H3L225+ M0A000***
2.5	57.0	43.5	29.5	52.5	20.3	1.2	600	1 500	4.0	19	33	C3H3L255+ M0A000***
3.0	57.0	50.0	35.0	52.5	20.3	1.2	600	1 800	4.0	20	33	C3H3L305+ M0A000***
3.3	57.0	50.0	35.0	52.5	20.3	1.2	600	1 980	4.0	21	33	C3H3L335+ M0A000***
3.5	57.0	50.0	35.0	52.5	20.3	1.2	600	2 400	4.0	22	33	C3H3L355+ M0A000***



C3H

■ 技术参数 Technical data(mm)

1 600Vdc (650 Vac)												
C _N (μF)	W±1.0	H±1.0	T±1.0	P±0.5	b±0.5	d±0.05	dV/dt (V/μs)	İ (A)	ESR max@100kHz (mΩ)	I _{rms} 100kHz@70℃ (A)	L _s (nH)	Part number
0.22	37.0	25.0	15.0	32.5	--	1.2	1 900	418	7.5	11	23	C3H3C224+ D00000***
0.22	37.0	25.0	15.0	32.5	5.1	1.0	1 900	418	6.5	13	23	C3H3C224+ D0C000***
0.33	37.0	30.0	16.0	32.5	--	1.2	1 900	627	7.5	11.5	23	C3H3C334+ D00000***
0.33	37.0	30.0	16.0	32.5	5.1	1.0	1 900	627	6.5	13.5	23	C3H3C334+ D0C000***
0.39	37.0	34.0	20.0	32.5	--	1.2	1 900	741	7.0	12	23	C3H3C394+ D00000***
0.39	37.0	34.0	20.0	32.5	5.1	1.0	1 900	741	6.0	14	23	C3H3C394+ D0C000***
0.47	37.0	34.0	20.0	32.5	--	1.2	1 900	893	7.0	13	23	C3H3C474+ D00000***
0.47	37.0	34.0	20.0	32.5	10.2	1.0	1 900	893	6.0	15	23	C3H3C474+ D0B000***
0.68	42.0	40.0	20.0	37.5	--	1.2	1 250	850	4.0	14	29	C3H3C684+ F00000***
0.68	42.0	40.0	20.0	37.5	10.2	1.2	1 250	850	4.0	16	29	C3H3C684+ F0B000***
0.82	42.0	44.0	24.0	37.5	--	1.2	1 250	1 025	4.0	14	29	C3H3C824+ F00000***
0.82	42.0	44.0	24.0	37.5	12.7	1.2	1 250	1 025	4.0	17	29	C3H3C824+ F02000***
1.0	42.0	45.0	30.0	37.5	20.3	1.2	1 250	1 250	4.0	17.5	29	C3H3C105+ F0A000***
1.2	42.0	45.0	30.0	37.5	20.3	1.2	1 250	1 500	4.0	18	29	C3H3C125+ F0A000***
1.5	42.0	43.0	42.0	37.5	20.3	1.2	1 250	1 875	4.0	19	29	C3H3C155+ F0A000***
1.5	57.0	43.5	29.5	52.5	20.3	1.2	750	1 125	4.0	20	33	C3H3C155+ M0A000***
2.0	57.0	50.0	35.0	52.5	20.3	1.2	750	1 500	4.0	22	33	C3H3C205+ M0A000***

1 700Vdc (675 Vac)												
C _N (μF)	W±1.0	H±1.0	T±1.0	P±0.5	b±0.5	d±0.05	dV/dt (V/μs)	İ (A)	ESR max@100kHz (mΩ)	I _{rms} 100kHz@70℃ (A)	L _s (nH)	Part number
0.15	37.0	25.0	15.0	32.5	--	1.2	2 000	300	8.5	10	23	C3H7M154+ D00000***
0.15	37.0	25.0	15.0	32.5	5.1	1.0	2 000	300	7.5	12	23	C3H7M154+ D0C000***
0.22	37.0	30.0	16.0	32.5	--	1.2	2 000	440	7.5	11	23	C3H7M224+ D00000***
0.22	37.0	30.0	16.0	32.5	5.1	1.0	2 000	440	6.5	13	23	C3H7M224+ D0C000***
0.33	37.0	34.0	20.0	32.5	--	1.2	2 000	660	7.0	11.5	23	C3H7M334+ D00000***
0.33	37.0	34.0	20.0	32.5	10.2	1.0	2 000	660	6.0	13.5	23	C3H7M334+ D0B000***
0.39	37.0	34.0	20.0	32.5	--	1.2	2 000	780	7.0	12	23	C3H7M394+ D00000***
0.39	37.0	34.0	20.0	32.5	10.2	1.0	2 000	780	6.0	14	23	C3H7M394+ D0B000***
0.47	42.0	36.0	24.0	37.5	--	1.2	1 260	592	6.0	12	29	C3H7M474+ F00000***
0.47	42.0	36.0	24.0	37.5	12.7	1.2	1 260	592	5.0	14	29	C3H7M474+ F02000***
0.56	42.0	36.0	24.0	37.5	--	1.2	1 260	706	6.0	13	29	C3H7M564+ F00000***
0.56	42.0	36.0	24.0	37.5	12.7	1.2	1 260	706	5.0	15	29	C3H7M564+ F02000***
0.68	42.0	44.0	24.0	37.5	--	1.2	1 260	857	6.0	14	29	C3H7M684+ F00000***
0.68	42.0	44.0	24.0	37.5	12.7	1.2	1 260	857	6.0	16	29	C3H7M684+ F02000***
0.82	42.0	44.0	24.0	37.5	--	1.2	1 260	1 033	5.5	14	29	C3H7M824+ F00000***
0.82	42.0	44.0	24.0	37.5	12.7	1.2	1 260	1 033	4.5	17	29	C3H7M824+ F02000***
1.0	42.0	45.0	30.0	37.5	20.3	1.2	1 260	1 260	4.5	18	29	C3H7M105+ F0A000***
1.2	42.0	43.0	42.0	37.5	20.3	1.2	1 260	1 512	4.5	19	29	C3H7M125+ F0A000***
1.0	57.0	45.0	25.0	52.5	20.3	1.2	780	780	4.0	16	33	C3H7M105+ M0A000***
1.2	57.0	43.5	29.5	52.5	20.3	1.2	780	936	4.0	17	33	C3H7M125+ M0A000***
1.5	57.0	43.5	29.5	52.5	20.3	1.2	780	1 170	4.0	20	33	C3H7M155+ M0A000***
2.0	57.0	50.0	35.0	52.5	20.3	1.2	780	1 560	4.0	22	33	C3H7M205+ M0A000***



C3H

Guang Zhou Nan Cai Electronic CO.,LTD.
<http://www.cgznc.com>

■ 技术参数 Technical data(mm)

2 000Vdc (700 Vac)												
C _N (μF)	W±1.0	H±1.0	T±1.0	P±0.5	b±0.5	d±0.05	dV/dt (V/μs)	İ (A)	ESR max@100kHz (mΩ)	I _{rms} 100kHz@70°C (A)	L _s (nH)	Part number
0.10	37.0	25.0	15.0	32.5	—	1.2	2 241	224	9.5	10	23	C3H3D104+ D00000***
0.10	37.0	25.0	15.0	32.5	5.1	1.0	2 241	224	8.5	12	23	C3H3D104+ D0C000***
0.15	37.0	25.0	15.0	32.5	—	1.2	2 241	336	9.5	11	23	C3H3D154+ D00000***
0.15	37.0	25.0	15.0	32.5	5.1	1.0	2 241	336	8.5	13	23	C3H3D154+ D0C000***
0.22	37.0	30.0	16.0	32.5	—	1.2	2 241	493	7.5	11.5	23	C3H3D224+ D00000***
0.22	37.0	30.0	16.0	32.5	5.1	1.0	2 241	493	6.5	13.5	23	C3H3D224+ D0C000***
0.33	37.0	34.0	20.0	32.5	—	1.2	2 241	740	7.5	12	23	C3H3D334+ D00000***
0.33	37.0	34.0	20.0	32.5	10.2	1.0	2 241	740	6.5	14	23	C3H3D334+ D0B000***
0.47	42.0	40.0	20.0	37.5	—	1.2	1 300	611	6.0	13	29	C3H3D474+ F00000***
0.47	42.0	40.0	20.0	37.5	10.2	1.2	1 300	611	5.0	15	29	C3H3D474+ F0B000***
0.56	42.0	44.0	24.0	37.5	—	1.2	1 300	728	6.0	14	29	C3H3D564+ F00000***
0.56	42.0	44.0	24.0	37.5	12.7	1.2	1 300	728	5.0	16	29	C3H3D564+ F02000***
0.68	42.0	44.0	24.0	37.5	—	1.2	1 300	884	5.5	14	29	C3H3D684+ F00000***
0.68	42.0	44.0	24.0	37.5	12.7	1.2	1 300	884	4.5	16.5	29	C3H3D684+ F02000***
0.82	42.0	45.0	30.0	37.5	20.3	1.2	1 300	1 066	4.5	17	29	C3H3D824+ F0A000***
1.0	42.0	43.0	42.0	37.5	20.3	1.2	1 300	1 300	4.5	19	29	C3H3D105+ F0A000***
1.0	57.0	43.5	29.5	52.5	20.3	1.2	850	850	4.5	20	33	C3H3D105+ M0A000***
1.2	57.0	43.5	29.5	52.5	20.3	1.2	850	1 020	4.5	21	33	C3H3D125+ M0A000***
1.5	57.0	50.0	35.0	52.5	20.3	1.2	850	1 275	4.5	22	33	C3H3D155+ M0A000***

2 500Vdc (725 Vac)												
C _N (μF)	W±1.0	H±1.0	T±1.0	P±0.5	b±0.5	d±0.05	dV/dt (V/μs)	İ (A)	ESR max@100kHz (mΩ)	I _{rms} 100kHz@70°C (A)	L _s (nH)	Part number
0.068	37.0	25.0	15.0	32.5	--	1.2	3 230	220	10.0	10	23	C3H3E683+ D00000***
0.068	37.0	25.0	15.0	32.5	5.1	1.0	3 230	220	9.0	12	23	C3H3E683+ D0C000***
0.10	37.0	30.0	16.0	32.5	--	1.2	3 230	323	10.0	11	23	C3H3E104+ D00000***
0.10	37.0	30.0	16.0	32.5	5.1	1.0	3 230	323	9.0	13	23	C3H3E104+ D0C000***
0.15	37.0	34.0	20.0	32.5	--	1.2	3 230	485	9.5	12	23	C3H3E154+ D00000***
0.15	37.0	34.0	20.0	32.5	10.2	1.0	3 230	485	8.5	14	23	C3H3E154+ D0B000***
0.18	37.0	34.0	20.0	32.5	--	1.2	3 230	581	9.0	13	23	C3H3E184+ D00000***
0.18	37.0	34.0	20.0	32.5	10.2	1.0	3 230	581	8.0	15	23	C3H3E184+ D0B000***
0.22	42.0	40.0	20.0	37.5	--	1.2	2 100	462	5.5	13	29	C3H3E224+ F00000***
0.22	42.0	40.0	20.0	37.5	10.2	1.2	2 100	462	4.5	15	29	C3H3E224+ F0B000***
0.33	42.0	44.0	24.0	37.5	--	1.2	2 100	693	5.5	13	29	C3H3E334+ F00000***
0.33	42.0	44.0	24.0	37.5	12.7	1.2	2 100	693	4.5	15.2	29	C3H3E334+ F02000***
0.47	42.0	45.0	30.0	37.5	20.3	1.2	2 100	987	4.0	16	29	C3H3E474+ F0A000***
0.68	42.0	43.0	42.0	37.5	20.3	1.2	2 100	1 428	4.0	16.5	29	C3H3E684+ F0A000***
0.68	57.0	43.5	29.5	52.5	20.3	1.2	1 200	816	4.0	17	33	C3H3E684+ M0A000***
1.0	57.0	50.0	35.0	52.5	20.3	1.2	1 200	1 200	4.0	17.5	33	C3H3E105+ M0A000***



C3H

■ 技术参数 Technical data(mm)

3 000Vdc (750 Vac)												
C _N (μF)	W±1.0	H±1.0	T±1.0	P±0.5	b±0.5	d±0.05	dV/dt (V/μs)	İ (A)	ESR max@100kHz (mΩ)	I _{rms} 100kHz@70℃ (A)	L _s (nH)	Part number
0.047	37.0	25.0	15.0	32.5	--	1.2	3 361	158	10.5	9	23	C3H4Q473+ D00000***
0.047	37.0	25.0	15.0	32.5	5.1	1.0	3 361	158	9.5	11	23	C3H4Q473+ D0C000***
0.068	37.0	30.0	16.0	32.5	--	1.2	3 361	229	10.0	10	23	C3H4Q683+ D00000***
0.068	37.0	30.0	16.0	32.5	5.1	1.0	3 361	229	9.0	12	23	C3H4Q683+ D0C000***
0.10	37.0	34.0	20.0	32.5	--	1.2	3 361	336	9.5	11	23	C3H4Q104+ D00000***
0.10	37.0	34.0	20.0	32.5	10.2	1.0	3 361	336	8.5	13	23	C3H4Q104+ D0B000***
0.15	37.0	34.0	20.0	32.5	--	1.2	3 361	504	9.0	11.5	23	C3H4Q154+ D00000***
0.15	37.0	34.0	20.0	32.5	10.2	1.0	3 361	504	8.0	13.5	23	C3H4Q154+ D0B000***
0.22	42.0	40.0	20.0	37.5	--	1.2	2 050	451	7.0	12	29	C3H4Q224+ F00000***
0.22	42.0	40.0	20.0	37.5	10.2	1.2	2 050	451	6.0	14	29	C3H4Q224+ F0B000***
0.33	42.0	45.0	30.0	37.5	20.3	1.2	2 050	677	5.5	14.5	29	C3H4Q334+ F0A000***
0.47	42.0	43.0	42.0	37.5	20.3	1.2	2 050	964	5.0	16	29	C3H4Q474+ F0A000***
0.47	57.0	43.5	29.5	52.5	20.3	1.2	1 200	564	5.0	16.5	33	C3H4Q474+ M0A000***
0.68	57.0	50.0	35.0	52.5	20.3	1.2	1 200	816	5.0	17	33	C3H4Q684+ M0A000***
0.82	57.0	50.0	35.0	52.5	20.3	1.2	1 200	984	4.5	18	33	C3H4Q824+ M0A000***

- 备注: 1. “+”表示容量偏差。 “+” =capacitance tolerance code M= ± 20%,K= ± 10%, J= ± 5%
2. “#” 当额定电压为630Vdc时,第4~5位为2J。 “#” when the rated voltage is 630Vdc,the digit 4~5 is 2J.
3. “***”表示内部特征码。 “***” = Internal use
4. 当“b=5.0mm”时,第12位代码为“6”;当“b=10.0mm”时,第12位代码为“1”;当“b=20.0 mm”时,第12位代码为“3”;
When the b=5.0mm, the digit 12 is “6”;When the b=10.0mm, the digit 12 is “1”;When the b=20.0mm, the digit 12 is “3”;
5. “I_{rms}”测试条件:环境温度70℃,频率100kHz,外壳温度达到85℃下的有效值。
“I_{rms}” at 100kHz,+70℃ for case operating T=+85℃.
6. “ESR”、“L_s”均为典型值。 “ESR”、“L_s” are typical values.